

ELAVT0001ARI Rough-In Box for E-Lav Faucets

TECK[®]
COMMERCIAL

DELTA[®]

SPECIFICATION:

- Control Box Rough-In
- For recessed wall mounting
- 10" square metal box with cover
- Single inlet supply
- Factory assembled waterway components with stop

APPROVALS:

- CSA certified to ASME A112.18.1/CSA B125.1 and NSF372
- Complies to NSF61 Section 9
- Verified compliant with 0.25% weighted average Pb content regulations



(Contact Delta Representative for State and/or Local Approvals.)

Engineer/Architect Approval

Model Specified:

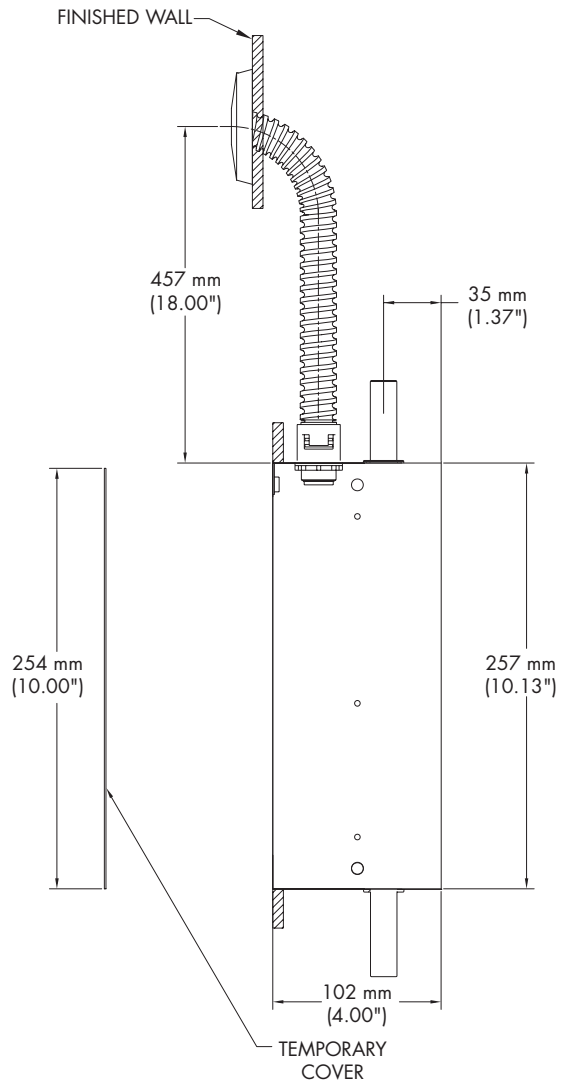
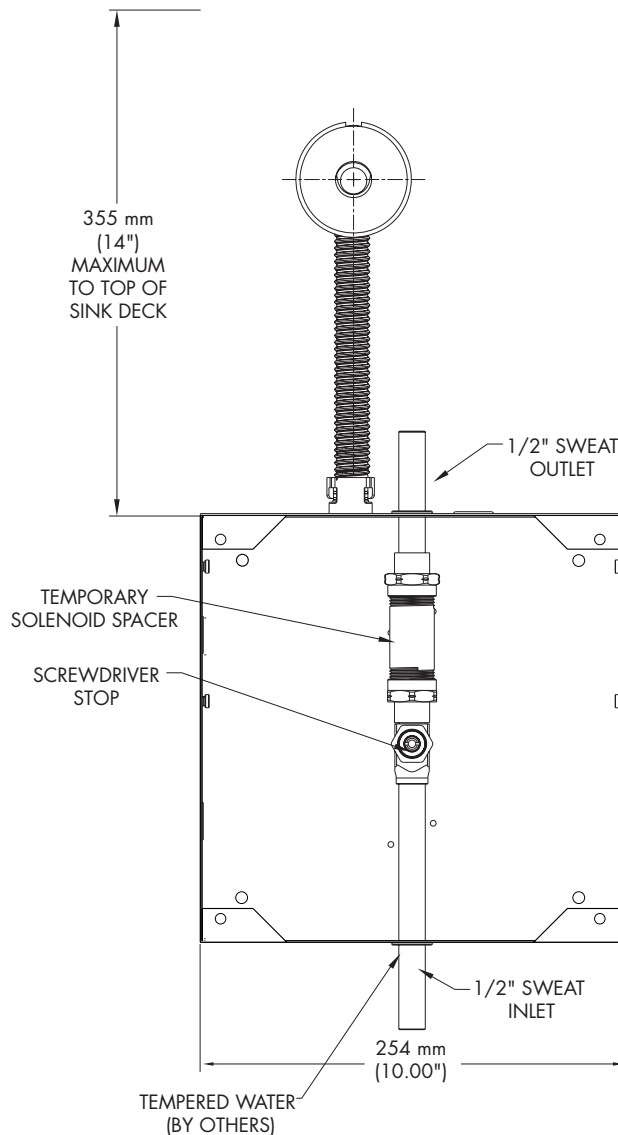
Approval:

Date:

ELAVT0001ARI No Mix Version

NOTE 1: Designed for routine 180°F (82°C) disinfection cycles up to 10 minutes when used with Proximity[®] Sensing Technology Trim Set models.

NOTE 2: Designed for routine 171°F (77°C) disinfection cycles up to 30 minutes when used with H₂Optics[®] Technology Trim Set models.



Note: Measurements may vary \pm 6mm (0.25")

Refer to www.specselect.com for individual models.

Note: Use this page as a product submittal sheet.