



see what Delta can do™

36" X 36" SHOWER BASE

■ EverEdge™

STANDARD SPECIFICATIONS:

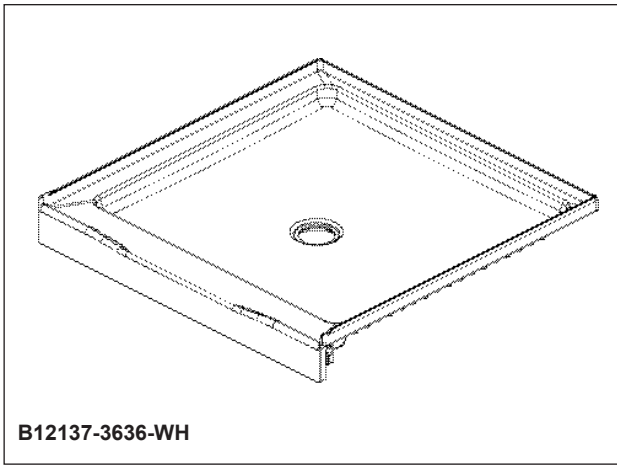
- Caulkless Installation
- Direct-to-stud installation
- Made with High-Gloss ProCrylic™ Material
- Textured Bottom
- Uses Standard Shower Stall Drain with 4 1/4" Strainer
- 10 Year Limited Residential Warranty
- 1 Year Limited Commercial Warranty

COLOR/FINISH

- White

COMPLIES WITH:

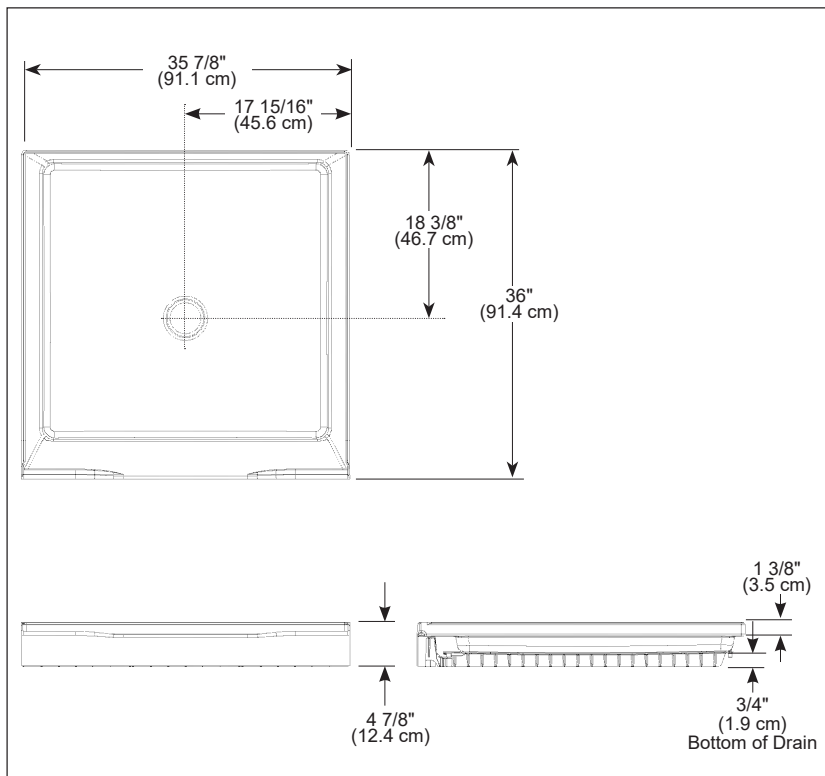
- CSA B45.5/IAPMO Z124



B12137-3636-WH

Submitted Model No.: _____

Specific Features: _____

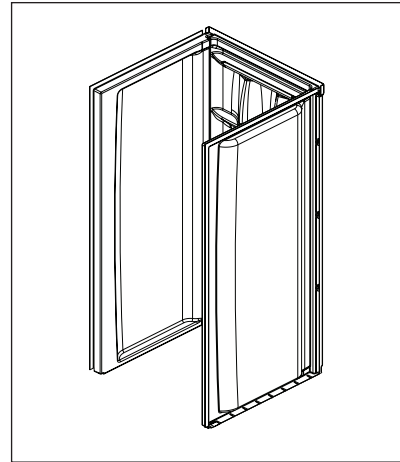




see what Delta can do™

EverEdge™

B12207-3636-WH
36" X 36" THREE-PIECE
SHOWER WALL SET



STANDARD SPECIFICATIONS:

- Caulkless Installation
- Direct-to-stud installation
- Accessory Ledge
- Made with High-Gloss ProCrylic™ Material
- 10 Year Limited Residential Warranty
- 1 Year Limited Commercial Warranty

COLOR/FINISH

- White

COMPLIES WITH:

- CSA B45.5/IAPMO Z124

