

Prelude™ TOILET C41101▲

STANDARD SPECIFICATIONS

- Vitreous China
- 27 1/16" (687mm) in length, 16 13/16"(427mm) in width, 32 15/16 "(837mm) in height
- Single/High Efficiency Toilet (HET) flush system
- Round bowl with comfort chair height design (17" top of seat)
- 12" (305 mm) rough-in
- High efficiency 1.28 gpf (4.8 lpf)
- 3" flush valve
- Smartfit™ tank mounting with tool for installation
- 2" (51 mm) fully glazed trapway
- Includes polished chrome trip lever
- Includes toilet seat
- 1,000g MaP score at 1.28 gpf

LIMITED WARRANTY

- Chinaware parts warranted to original consumer purchaser.
- 1 year warranty on mechanical components, fill valve, flush valve, flush lever handle, and mounting bolts will apply.
- The toilet seat & lid will have a 1 year warranty.



COMPLIES WITH

- ADA
- ASME A1 12.19.2 / CSA B45.1
- ASME A1 12.19.5
- ICC / ANSI A1 17.1
- EPA WaterSense® High Efficiency Toilet
- CalGreen

Technical Information	
Fixture configuration	Two-piece, round bowl
Water per flush	1.28 gpf (4.8 lpf)
Passageway	2" (51 mm)
Water area	8 31/32" x 6 21/32" (228 mm x 169 mm)
Seat post hole centers	5 1/2" (140 mm)
Included Components:	
Bowl	RP71185▲
Tank	RP71179▲
Tank Cover	RP71180▲
Trip Lever	RP71165▲
Mounting Hardware - Bowl to Floor	RP71146
Mounting Hardware - Tank to Bowl	RP72471
Seat Assembly	RP92290▲

Installation Notes

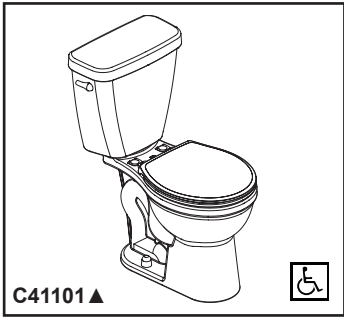
- Install this product according to the installation guide.
- This model complies with the American Disabilities Act (ADA) when installed per the requirements of the Accessibility Guidelines, Section 604 Water Closets, of the Act, which includes the installation of an open front seat (not included).
- This model complies with CSA B651 when installed per Clause 4.3.6 of the standard.



55 E. 111th Street, Indianapolis, Indiana 46280
 350 South Edgeware Road, St. Thomas, Ontario Canada N5P 4L1
 © 2015 Masco Corporation of Indiana
 USA / Canada: 1-855-345-1345
 www.deltatoilet.com

▲ Designate proper finish suffix (-WH for white)

DSP-S-C41101 Rev. D

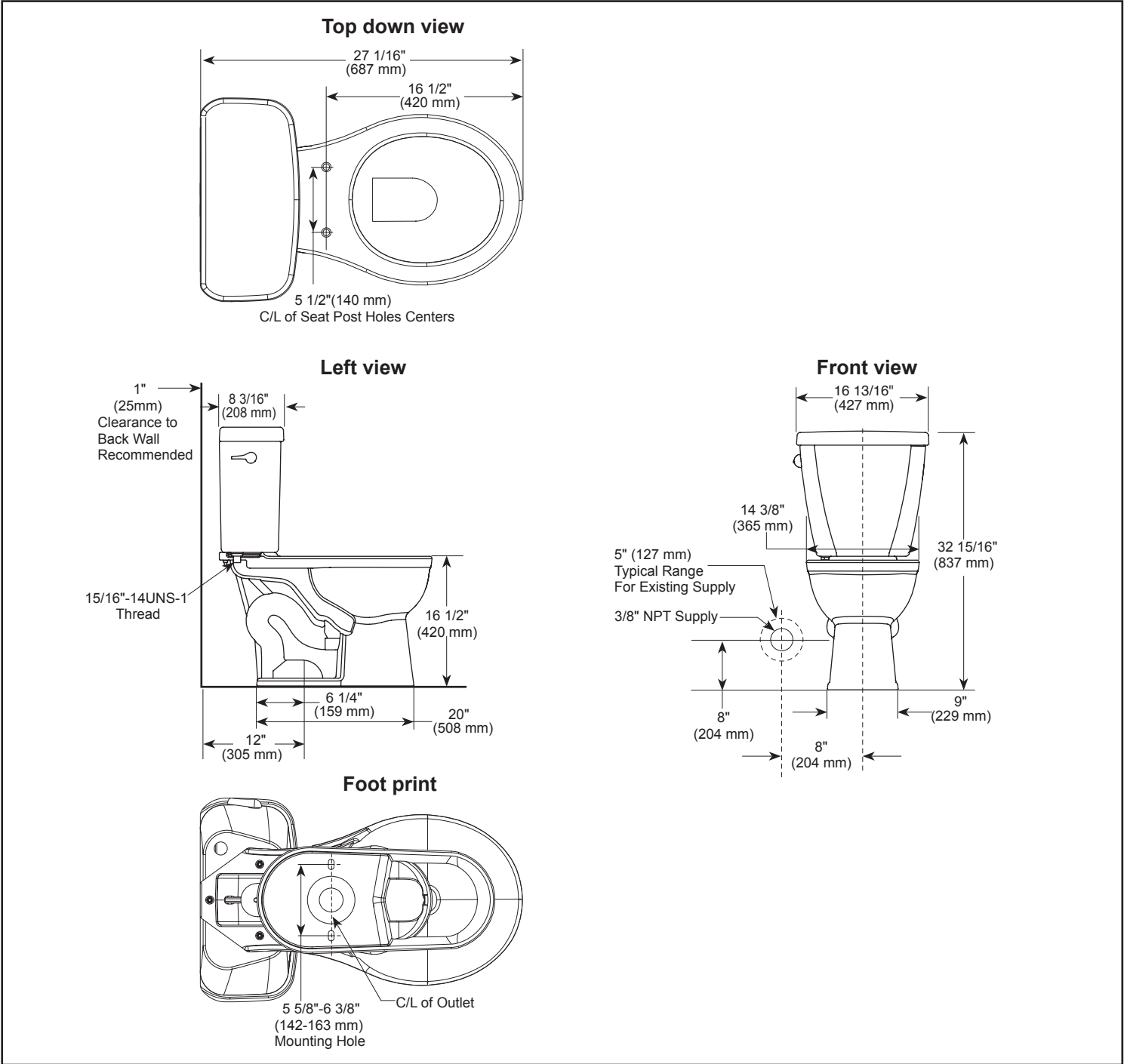


Prelude™ TOILET C41101▲

■ Round Bowl

Submitted Model No.: _____

Specific Features: _____



▲ Designate proper finish suffix (-WH for white)

Delta reserves the right (1) to make changes in specifications and materials, and (2) to change or discontinue models, both without notice or obligation. Dimensions are for reference only. See full-line pricebook or www.deltatoilet.com for finish options and product availability.